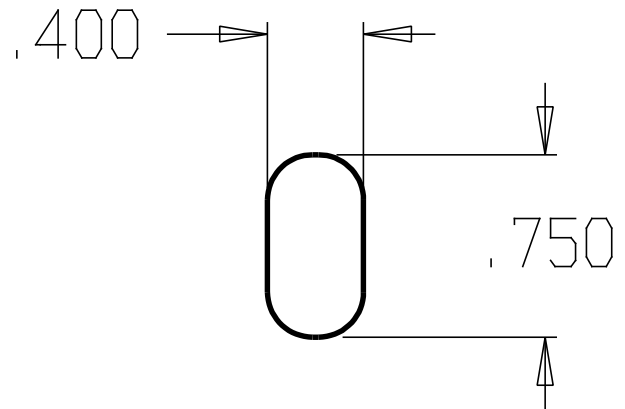
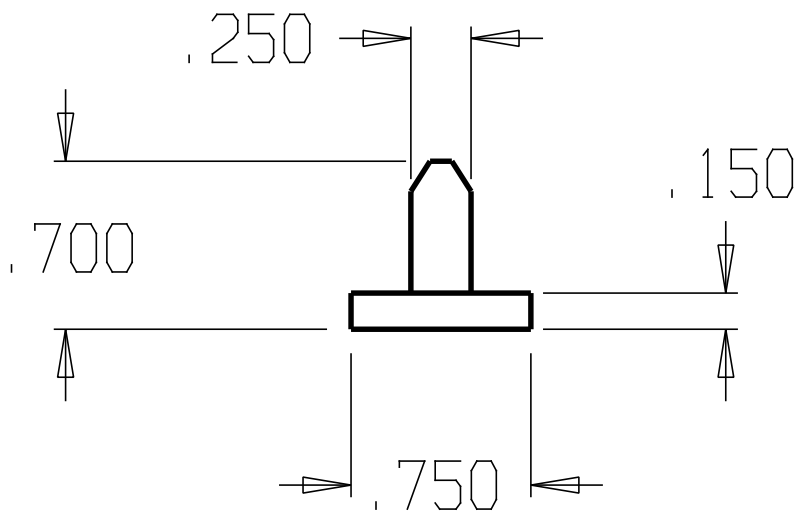


REVISIONS				
ZONE	REV	FINISHES:	DATE	APPROVED
		GRAY RUBBER		



DON-JO MFG. INC.

DESIGNER	SIZE	DATE:	PART NO.	REV
	A	3/29/04	#1609	
APPROVED	SCALE	RELEASE DATE	WEIGHT	SHEET