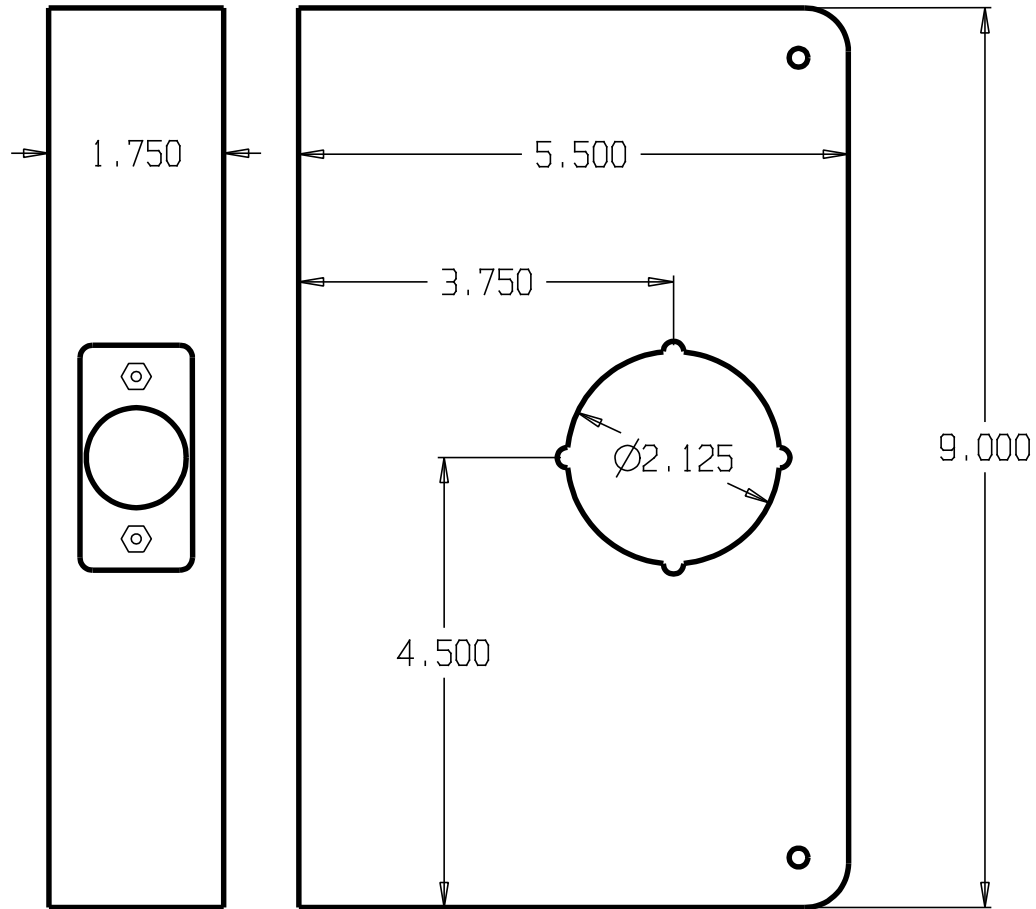


REVISIONS			
ZONE	REV	FINISHES:	GALUGE:
		PB, AB, BZ & S	22ga. .032



DON-JO MFG. INC.

DESIGNER	SIZE	DATE:	PART NO.	REV
	A	4/27/04	33-CW	
APPROVED	SCALE	RELEASE DATE	WEIGHT	SHEET