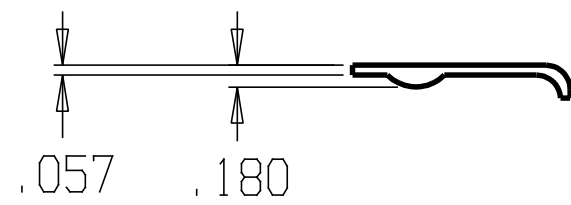
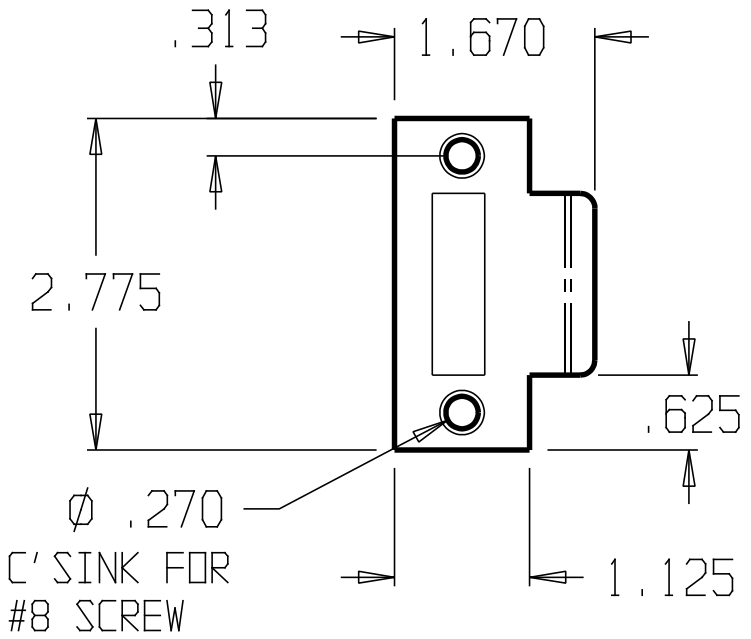
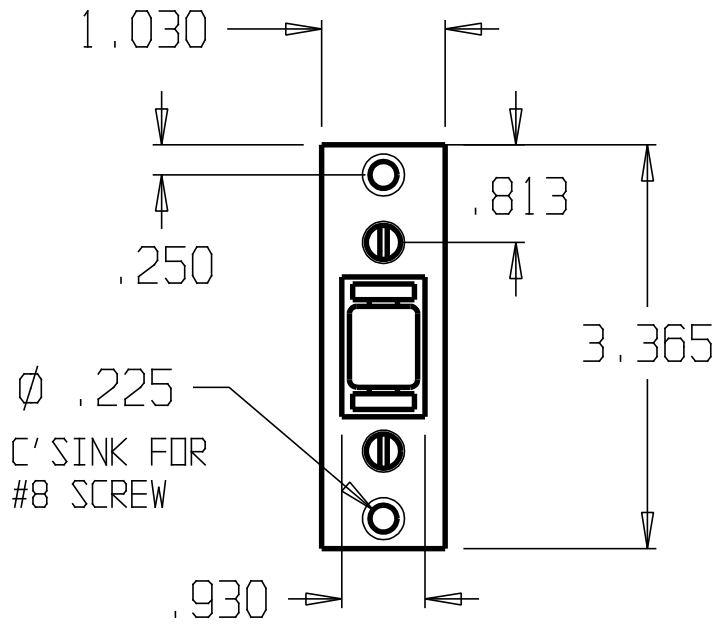
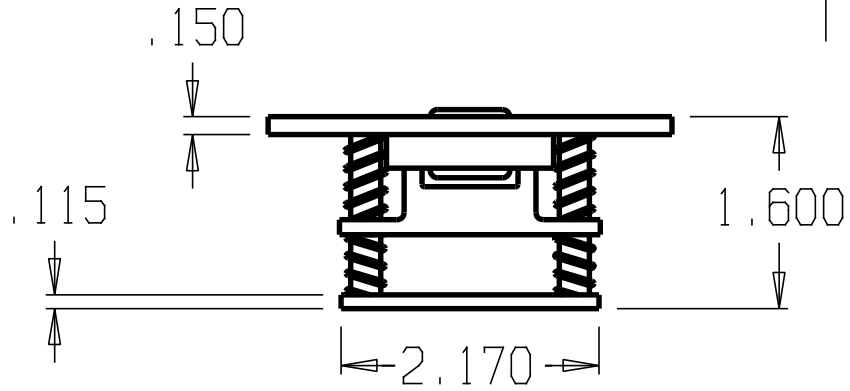


REVISIONS				
ZONE	REV	FINISHES:	DATE	APPROVED
		605, 613, 619, 620, 626		



MORTISE .930" X 2.2" X 1.6"  
FOR MECHANISM

DON-JO MFG. INC.

DESIGNER	SIZE	DATE:	PART NO.	REV
	A	8/17/06	#1702	
APPROVED	SCALE	RELEASE DATE	WEIGHT	SHEET