

# 2040 UNIVERSAL COORDINATOR

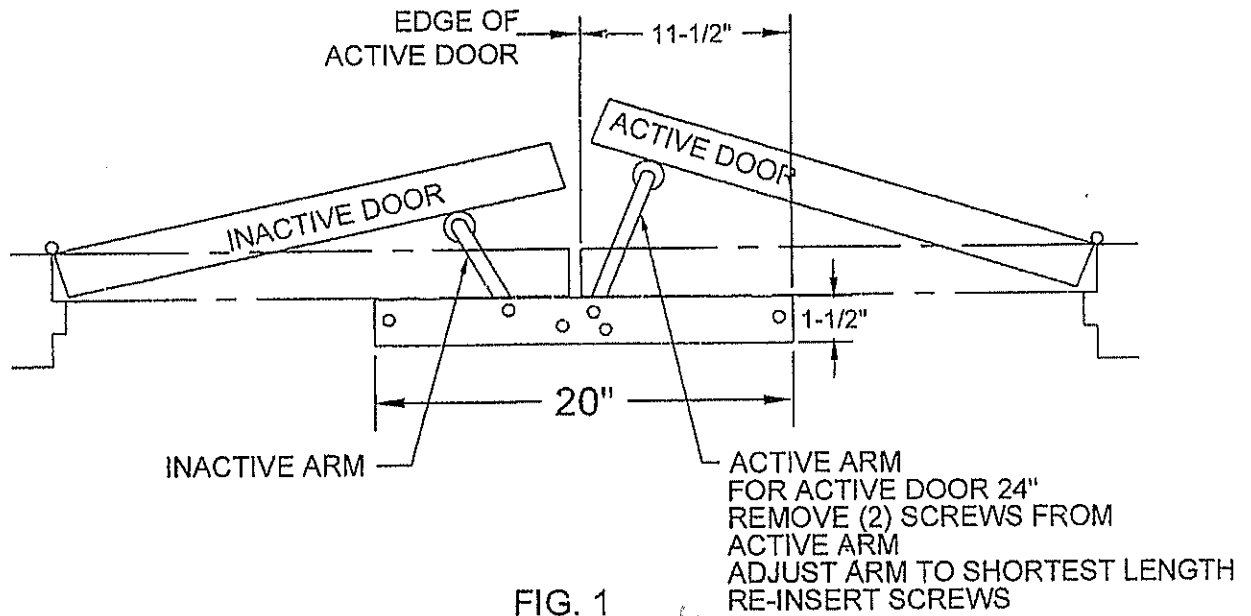


FIG. 1

SPOT (6) HOLES IN DOOR STOP FOR 10-32 MACHINE SCREWS or #10 WOOD SCREWS

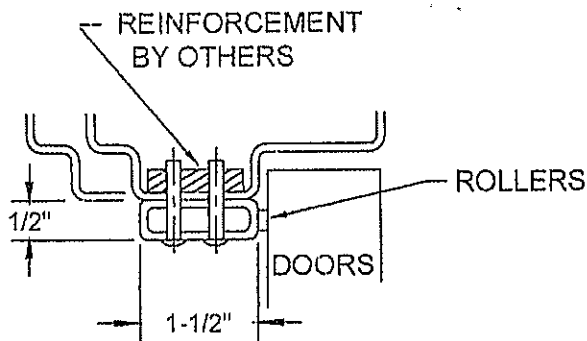


FIG. 2

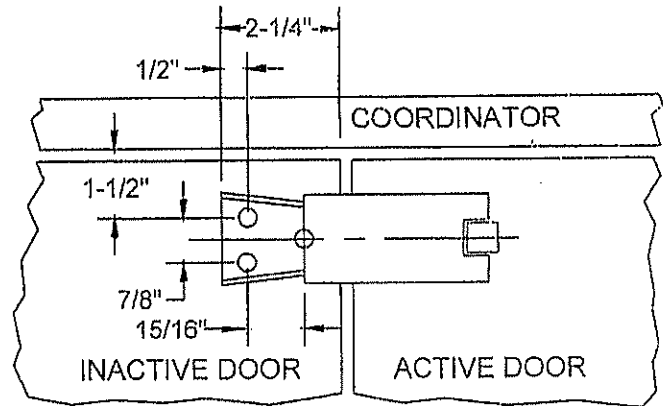


FIG. 3

DRILL FOR (3) 3/8" DIA. SEX BOLTS

1. BEFORE SPOTTING HOLES, INACTIVE (SHORT) ARM MUST BE ORIENTED WITH INACTIVE DOOR. PREP FRAME (FIG 1 & 2)
2. MOUNT COORDINATOR WITH (6) 10-32 MACHINE SCREWS OR (6) #10 WOOD SCREWS (FIG 1)
3. INSTALL CARRY BAR WHEN REQUIRED (FIG 3)

# DON-JO MFG., INC.