

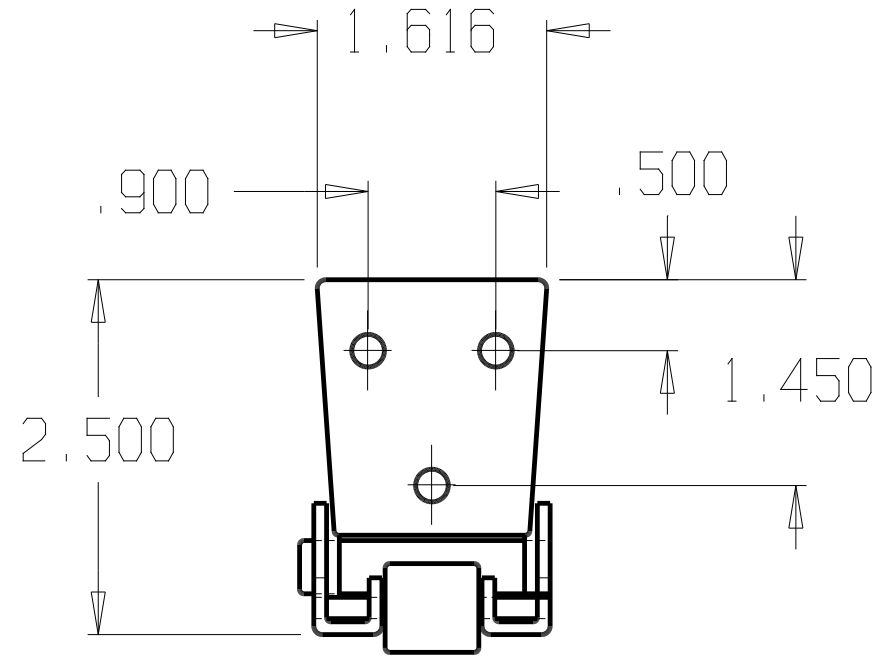
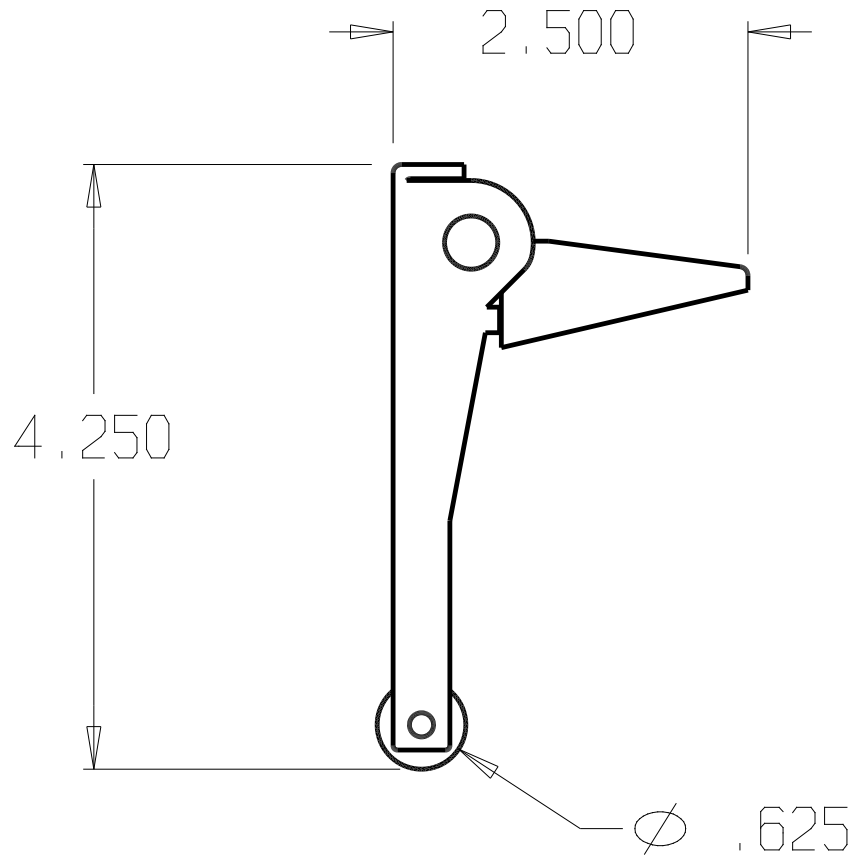
DWG NO

SH

REV

REVISIONS

ZONE	REV	FINISHES:	DATE	APPROVED
		BLACK COAT		



DON-JO MFG. INC.

DESIGNER	
APPROVED	

SIZE A	DATE: 4/5/04	PART NO. #2060	REV
SCALE	RELEASE DATE	WEIGHT	SHEET