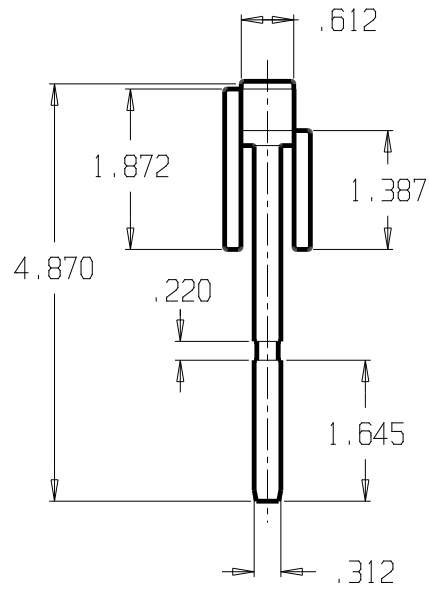


DWG NO	SH	REV
--------	----	-----

REVISIONS		FINISHES:	GALUGE:
ZONE	REV	613, BP, CP	



DON-JO MFG. INC.

DESIGNER
D.R.

SIZE A	DATE: 6/26/14	PART NO. #1512	REV
SCALE	RELEASE DATE	WEIGHT	SHEET