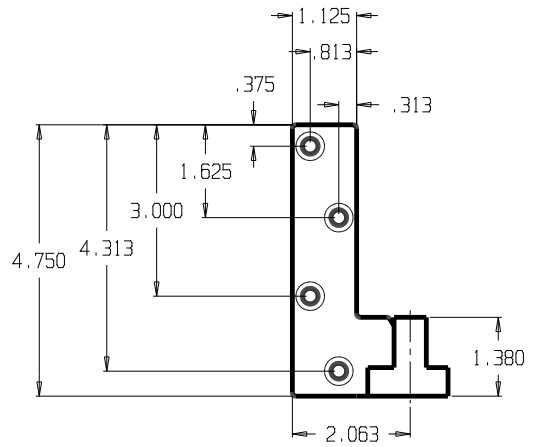
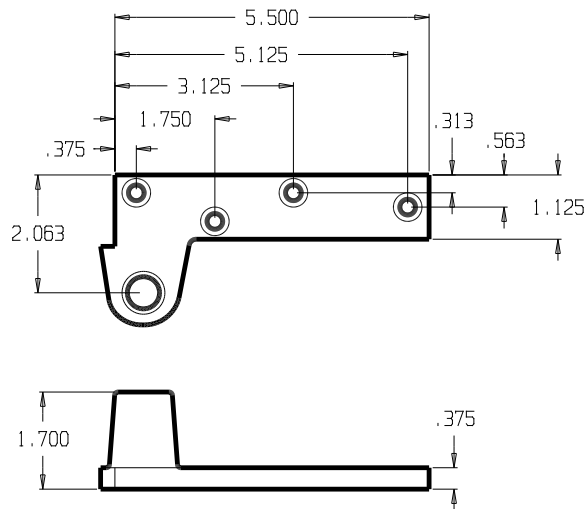


DWG NO	SH	REV
--------	----	-----

REVISIONS		
ZONE	REV	FINISHES : 626
		GALUGE :



DON-JO MFG. INC.	
DESIGNER	D.R.

SIZE	DATE:	PART NO.	REV
A	8/4/15	BP-1-23-LHR	
SCALE	RELEASE DATE	WEIGHT	SHEET