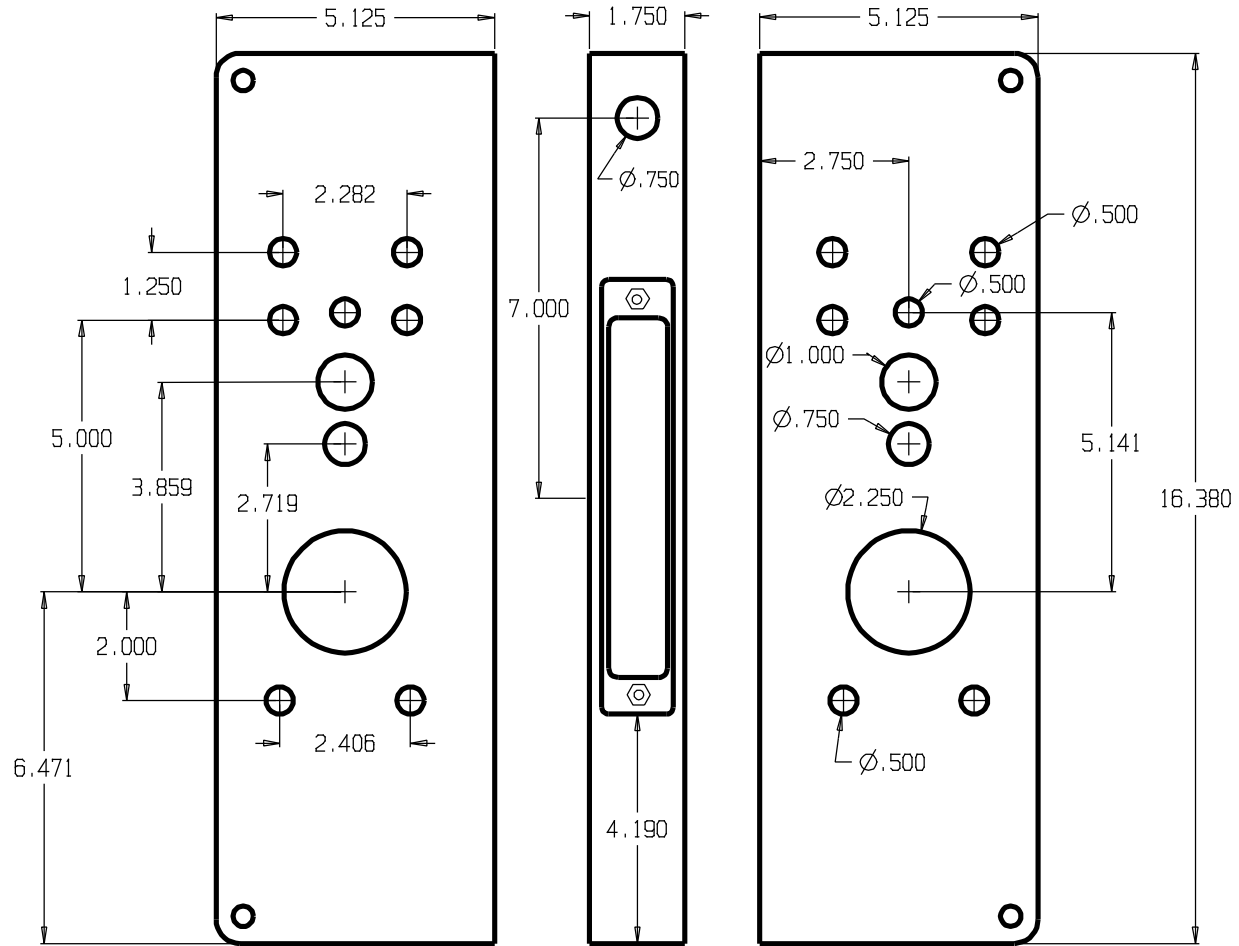


REVISIONS			
ZONE	REV	FINISHES:	GAUGE:
		605, 630, DURO COAT	22ga. .032



DON-JO MFG. INC.

PER SCHLAGE REV. 6/11-A

DESIGNER	D.R.	SIZE	A	DATE:	2/2/12	PART NO.	504AD-CW	REV
		SCALE		RELEASE DATE		WEIGHT		SHEET