

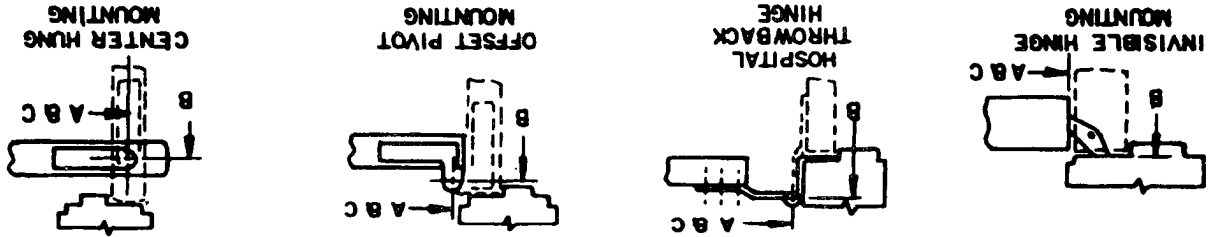
DON-JO MFG., INC.

P.O. Box 929
Sterling, Ma. 01564
www.don-jo.com

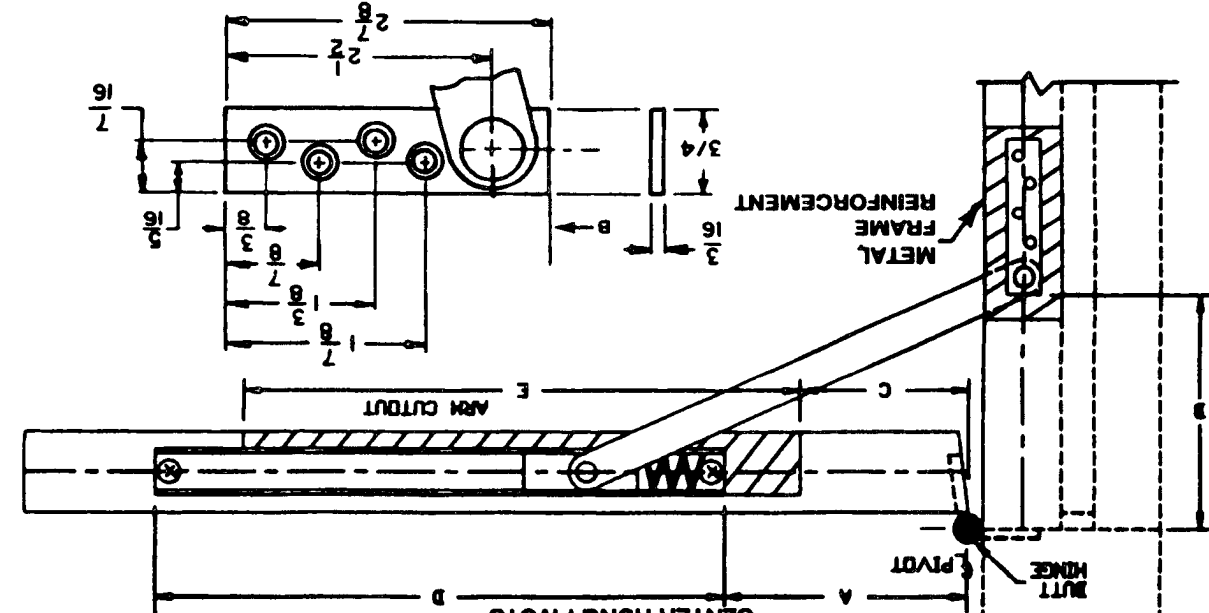
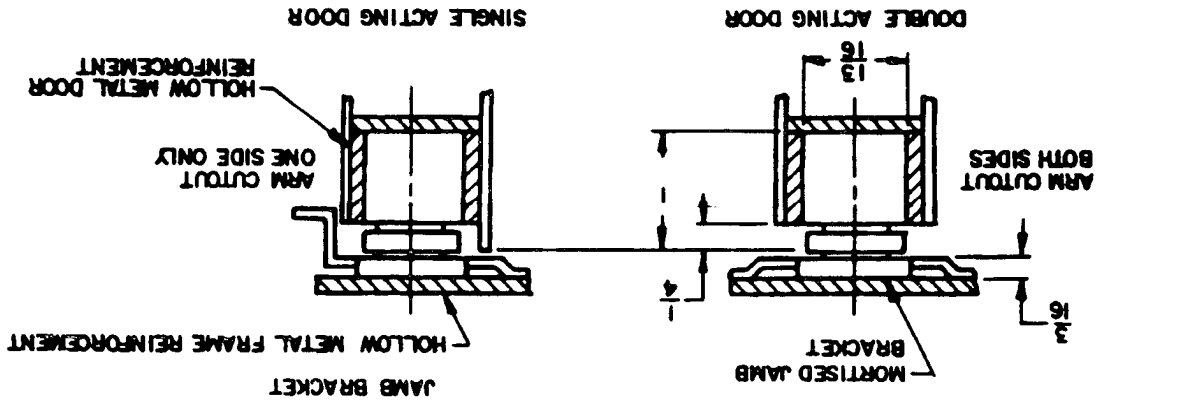
ALWAYS REQUEST LATEST TEMPLATE DRAWINGS FOR NEW INSTALLATIONS
DO NOT SCALE DRAWING

SCREW DETAIL		
QTY	WOOD	METAL
JAMB	4	No.10 x 1-1/2" F.H.V.S. 10-32 X 1/2" F.H.M.S.
DOOR	2	No.10 x 1-1/2" RD.H.V.S. 10-32 X 1-1/4" RD.H.M.S.

NOTE: A, B & C DIMENSIONS MEASURED AS SHOWN



ALL DIMENSIONS SHOWN IN INCHES



Part# 3024
30" to 48" DOOR OPENINGS
BUTT, INVISIBLE, HOSPITAL HINGES, OFFSET PIVOTS
32" to 48" DOOR OPENINGS
CENTER HUNG PIVOTS
NON-HANDED
REVERSIBLE

