

DWG NO

SH

REV

REVISIONS

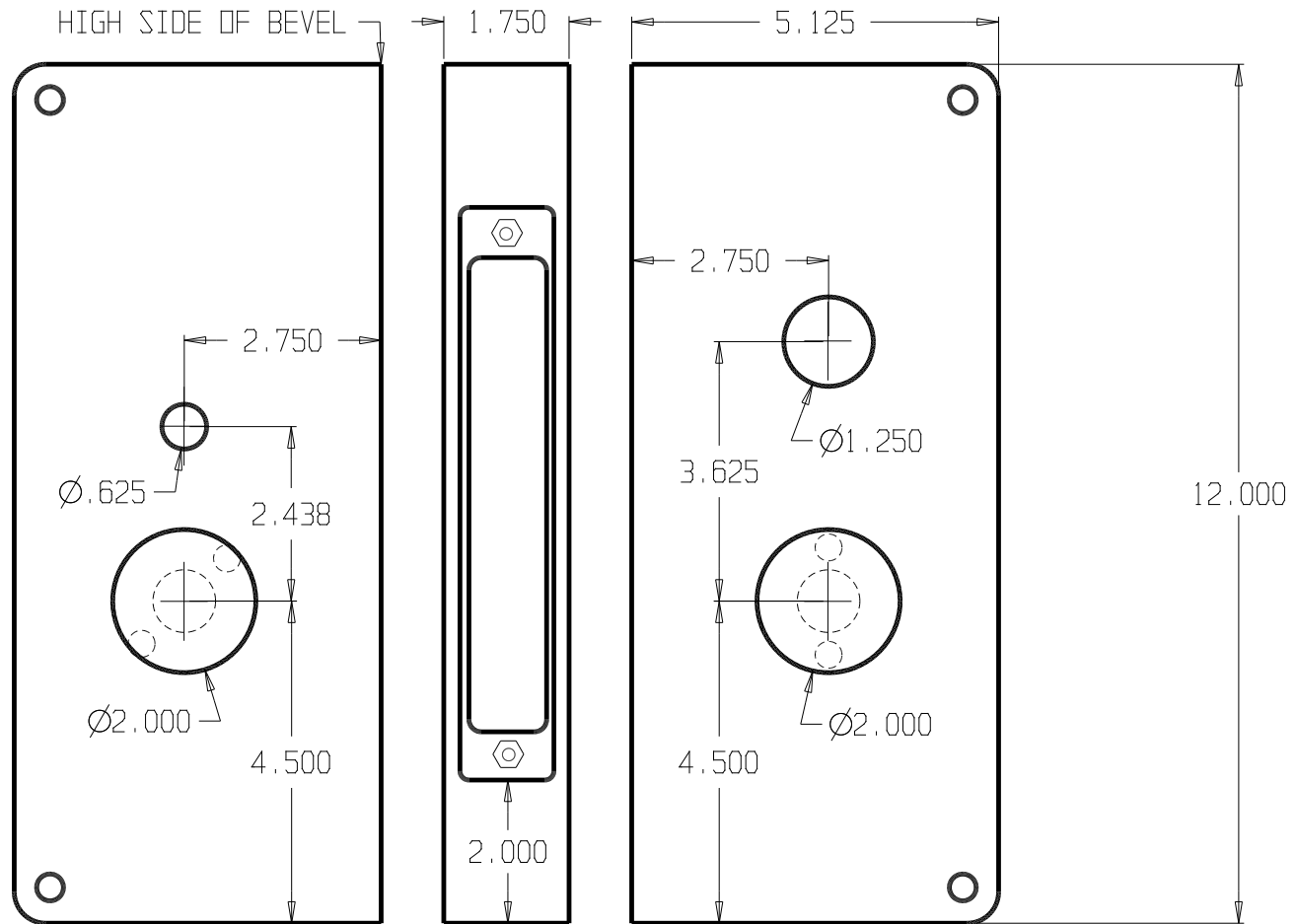
ZONE REV

FINISHES:

DU, PB, S

GALUGE:

22GA .032



DON-JO MFG. INC.

DESIGNER

SIZE

A

DATE:

10/14/20

PART NO.

4020T-CW

REV

SCALE

RELEASE DATE

WEIGHT

SHEET