

DWG NO

SH

REV

REVISIONS

ZONE

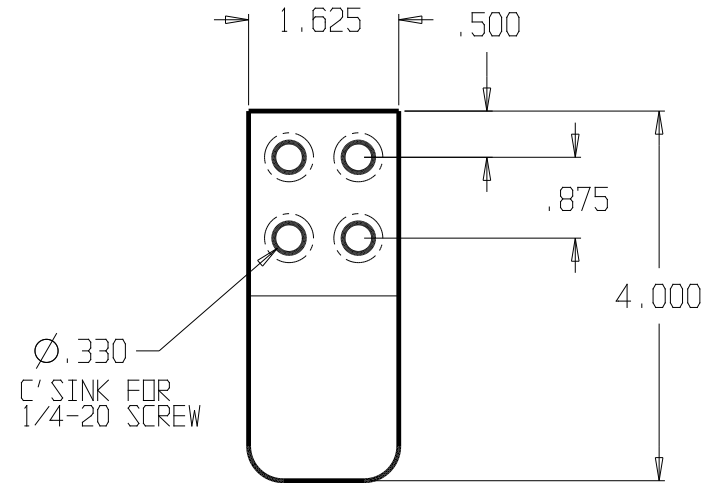
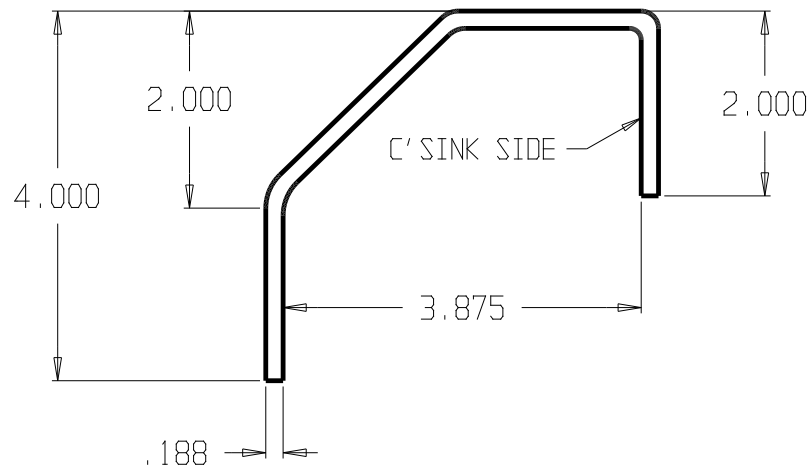
REV

FINISHES:

630

GALIGE:

.188 / 304 #4



DON-JO MFG. INC.

DESIGNER

D.R.

SIZE

A

DATE:

6/2/20

PART NO.

#43

REV

SCALE

RELEASE DATE

WEIGHT

SHEET