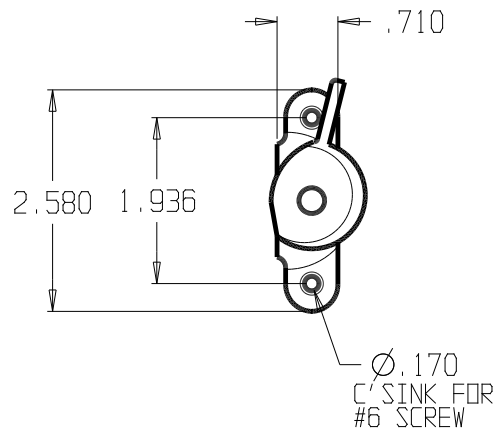
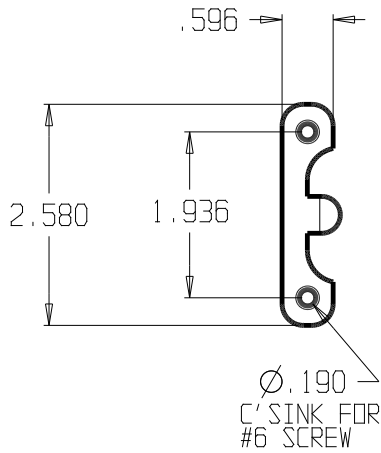


DWG NO.	SH	REV
---------	----	-----

REVISIONS		
ZONE	REV	FINISHES:
		605,613,619 & 626
		GALUGE:



DON-JO MFG. INC.				SIZE	DATE:	PART NO.	REV
DESIGNER	D.R.	A	6/3/10	#350			
SCALE		RELEASE DATE		WEIGHT	SHEET		