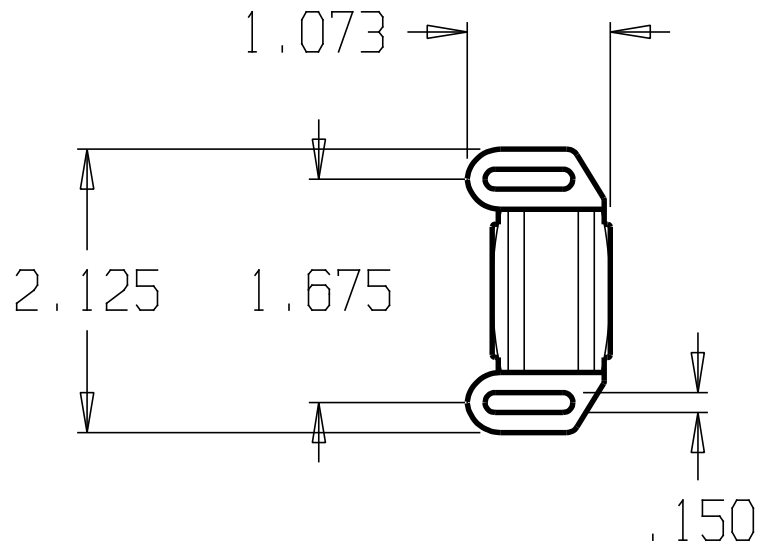
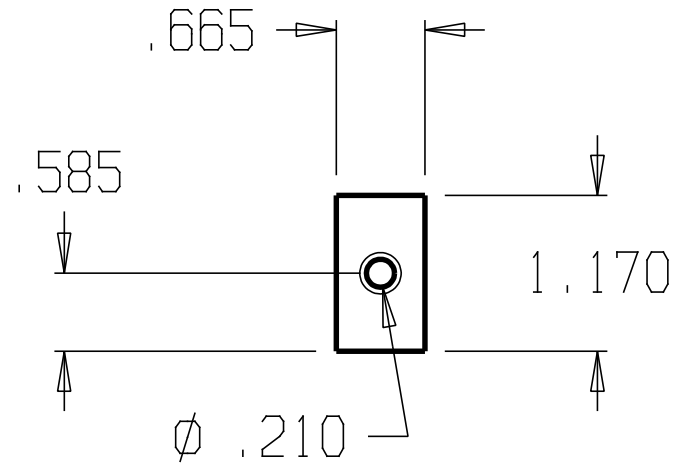
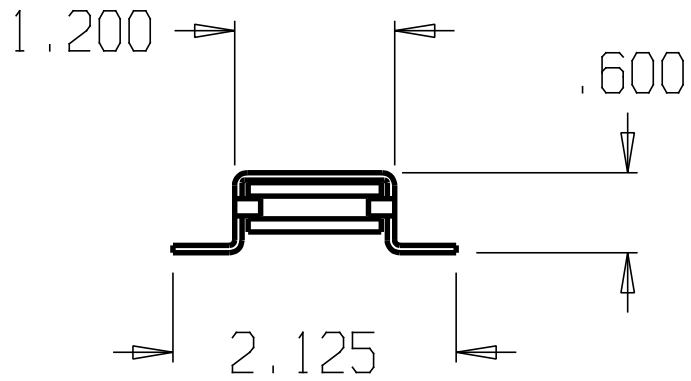


REVISIONS				
ZONE	REV	FINISHES:	DATE	APPROVED
		605, 626		



DON-JO MFG. INC.

DESIGNER
APPROVED

SIZE: A
SCALE

DATE: 3/31/04

PART NO. #1720

REV

RELEASE DATE

WEIGHT

SHEET