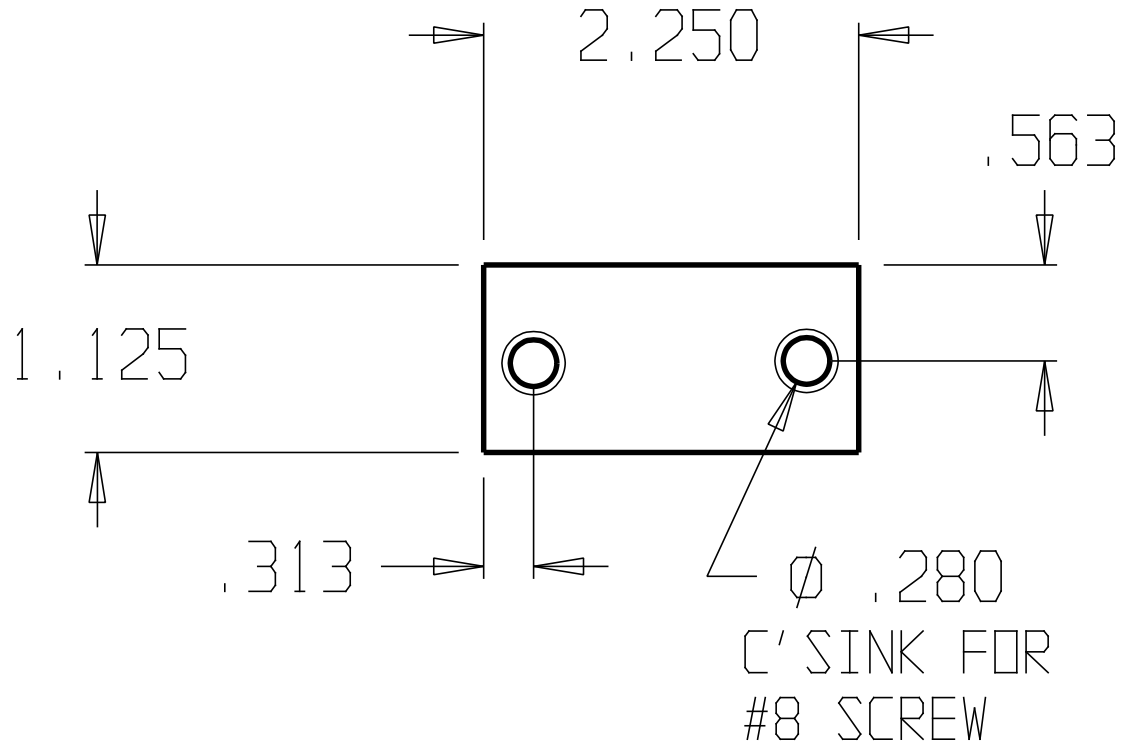


REVISIONS			
ZONE	REV	FINISHES:	GAUGE:
		BP & PC	16ga. .060



DON-JO MFG. INC.		SIZE	DATE:	PART NO.	REV
DESIGNER		A	5/12/04	EF-161-TG	
APPROVED		SCALE	RELEASE DATE	WEIGHT	SHEET