

DWG NO

SH

REV

REVISIONS

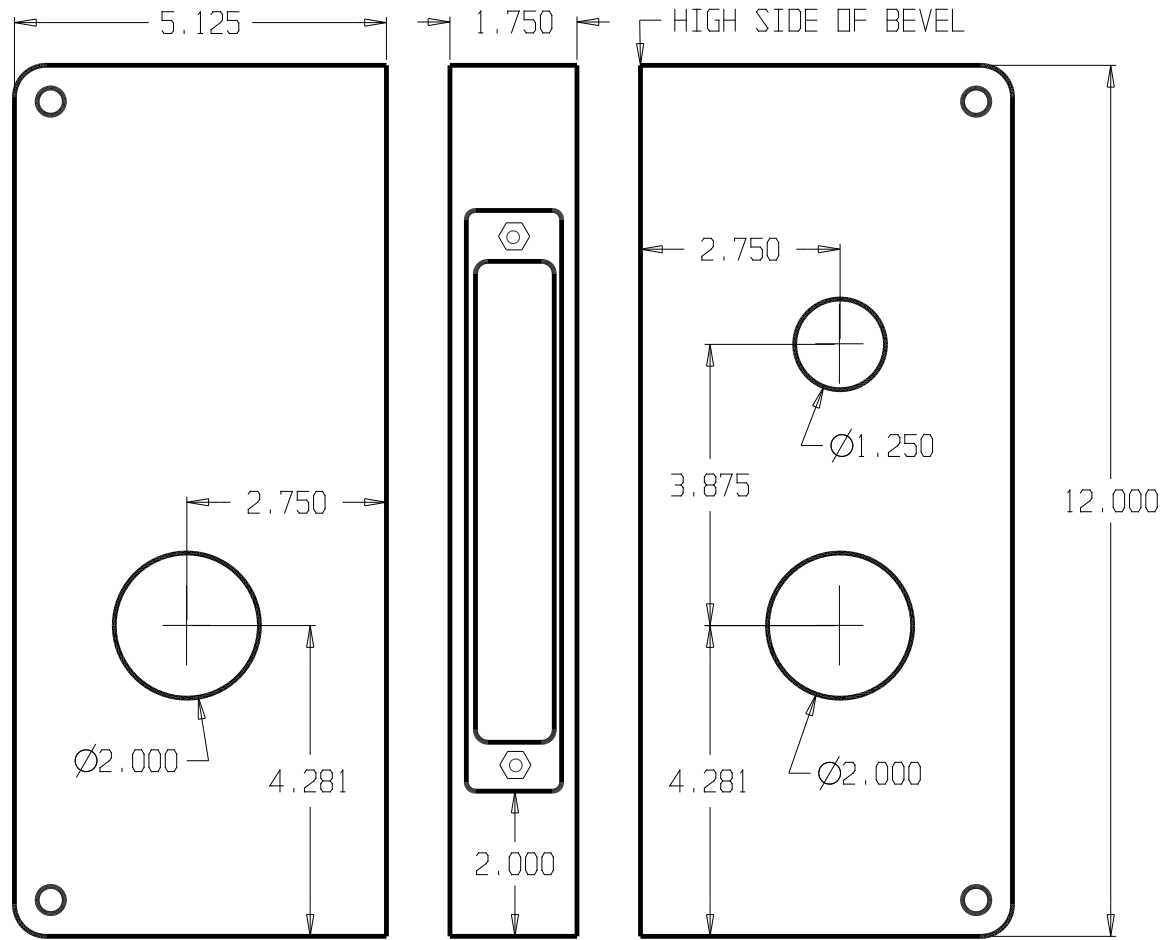
ZONE REV

FINISHES:

DU 605, 630 & 612

GALUGE:

22GA .032



DON-JO MFG. INC.

DESIGNER

SIZE

A

DATE:

6/17/20

PART NO.

8255-CW-RHR

REV

SCALE

RELEASE DATE

WEIGHT

SHEET