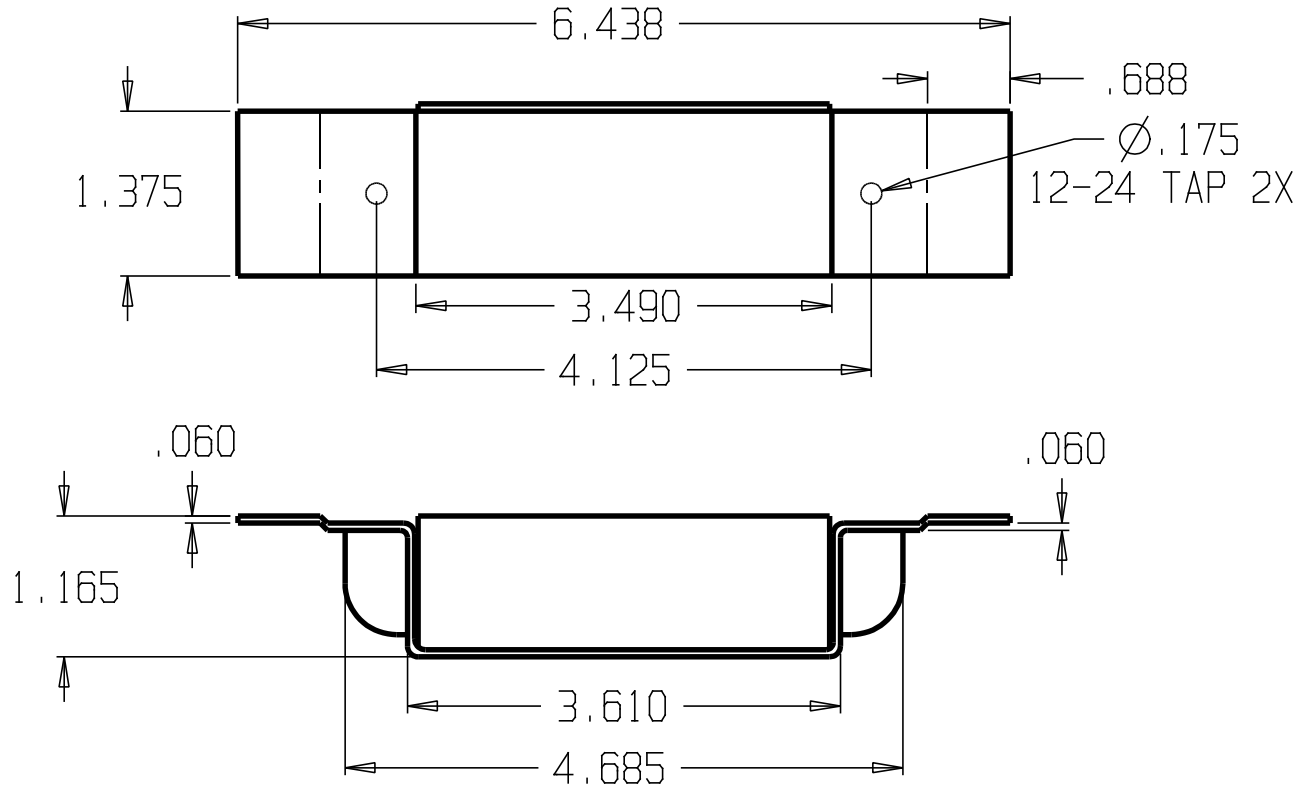


REVISIONS		
ZONE	REV	FINISHES:
		RAW STEEL
		GUAGE:
		16ga. .060



DON-JO MFG. INC.

DESIGNER
APPROVED

SIZE: A
DATE: 4/19/04
SCALE

PART NO: DCB 340
REV
RELEASE DATE
WEIGHT
SHEET