

LAS VEGAS

- Zinc back plate
- Mounting kit included

PRODUCT SPECIFICATION SHEET

LAS VEGAS SERIES

LAS-TRDROP-PC



FEATURES

- MODERN DESIGN
- CAST BACKINGS
- ZINC+STEEL COMPOSITION
- WALL MOUNTED

MATERIAL

- ZINC
- STAINLESS STEEL 304

STOCKED FINISHES

- POLISHED CHROME (PC)
- BRUSHED NICKEL (BN)
- MATTE BLACK (MB)



LAS-TRDROP-BN



LAS-TRDROP-MB

Product Code	Name	Finishes	Sizes (mm)			Sizes (Inches)		
			Length	Width	Height	Length	Width	Height
LAS- RH	LAS-Robe Hook	PC, BN, MB	52	81	74	2	3 1/4	2 7/8
LAS- TPEURO	LAS-Tissue Holder	PC, BN, MB	175	52	84	6 3/4	2	3 3/8
LAS- TPPT	LAS-Pivot Paper Holder	PC, BN, MB	227	52	80	8 7/8	2	3 1/8
LAS-TRSQ	LAS-Towel Ring	PC, BN, MB	165	164	50	6 1/2	6 1/2	2
LAS-TB 18	LAS-Towel bar 18"	PC, BN, MB	509	52	71	18	2	3 1/8
LAS-TB 24	LAS-Towel bar 24"	PC, BN, MB	662	52	71	24	2	3 1/8



Bathroom Accessories

LAS VEGAS

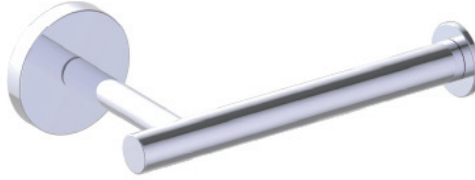
- Zinc back plate
- Mounting kit included

Robe Hook
LAS-RH



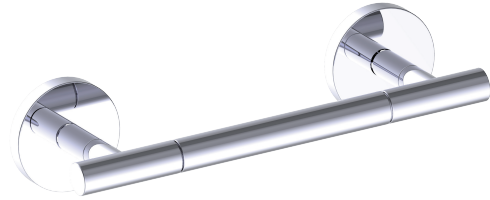
○ (PC) ● (BN) ● (MB)

Paper Holder
LAS-TPEURO



○ (PC) ● (BN) ● (MB)

Pivot Paper Holder
LAS-TPPT



○ (PC) ● (BN) ● (MB)

Towel Ring
LAS-TRSQ



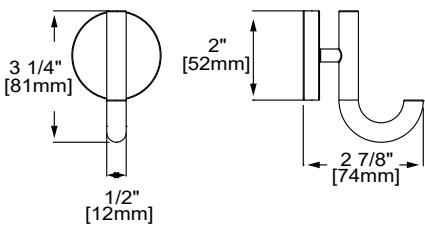
○ (PC) ● (BN) ● (MB)

Towel Bar 18"/24"
LAS-TB18/TB24

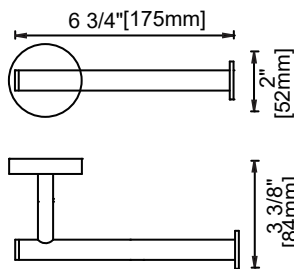


○ (PC) ● (BN) ● (MB)

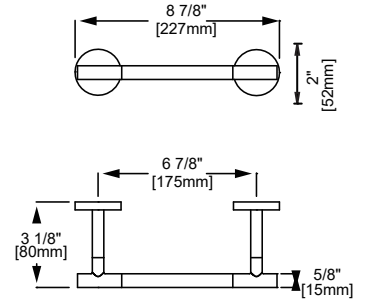
Robe Hook
LAS-RH



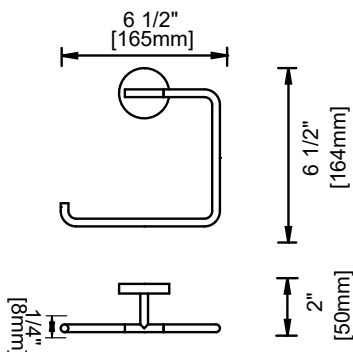
Paper Holder
LAS-TPEURO



Pivot Paper Holder
LAS-TPPT



Towel Ring
LAS-TRSQ



Towel Bar 18"/24"
LAS-TB18/TB24

