

Sydney installation instructions

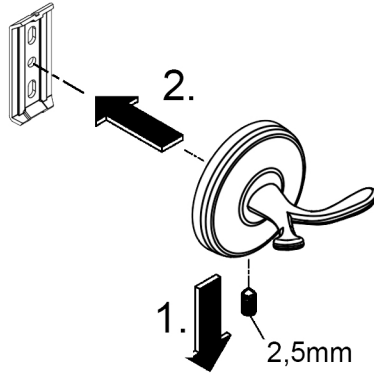


Figure 1.
Loosen the set screw on the accessory and remove the backing plate.
Position the accessory against the wall and mark outline with pencil.

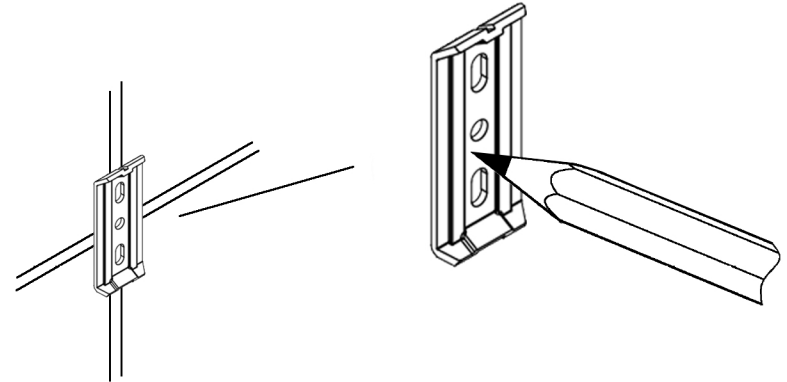


Figure 2.
Position the backing plate flat side down on the wall and mark holes with pencil.

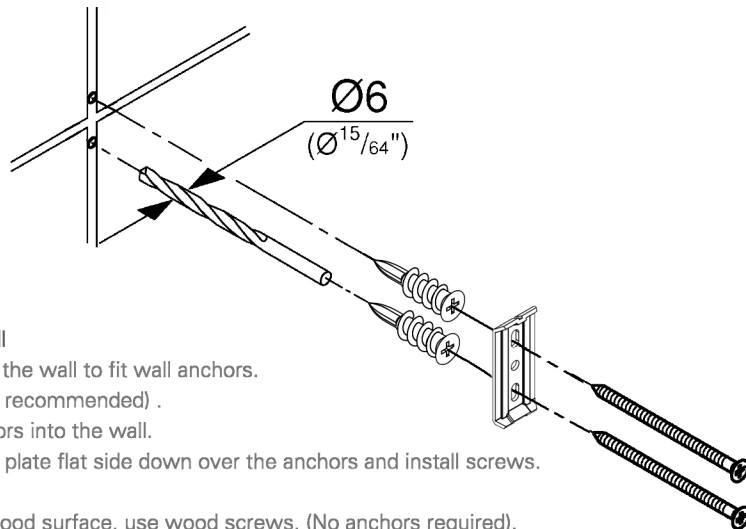


Figure 3.
Mount to drywall
Predrill holes on the wall to fit wall anchors.
(15/64" Drill bit recommended).
Insert wall anchors into the wall.
Position backing plate flat side down over the anchors and install screws.
Mount to wood
If installing on wood surface, use wood screws. (No anchors required).

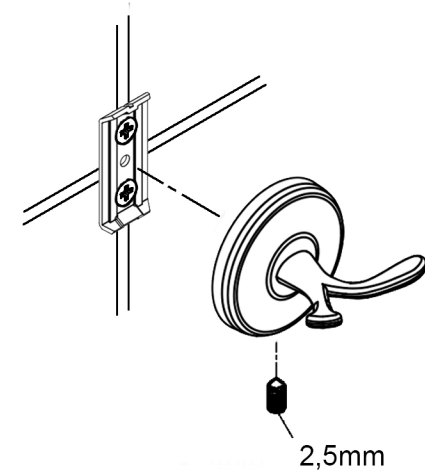
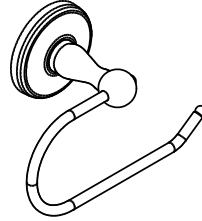


Figure 4.
Slide the accessory onto the backing plate and tighten the set screw using Allen key provided.

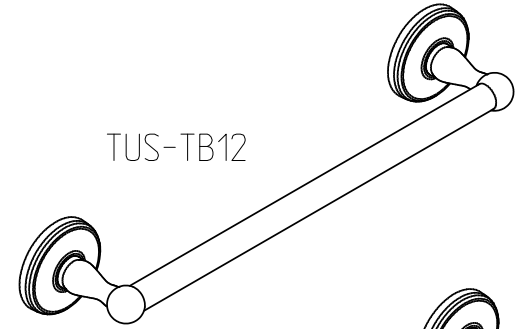
TUS-RH-1



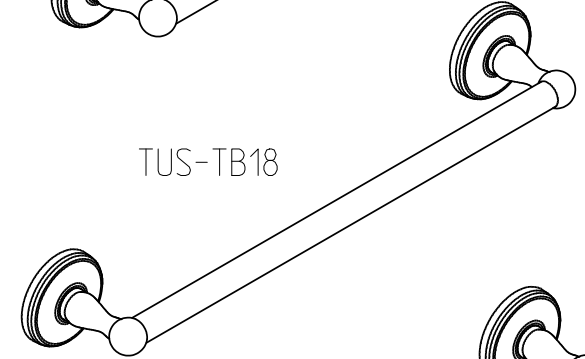
TUS-TPDROP



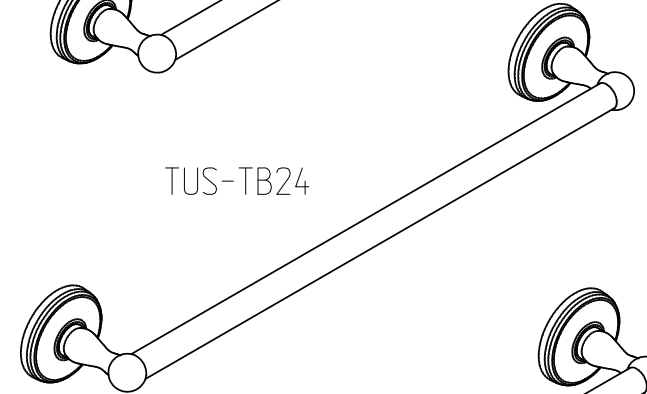
TUS-TB12



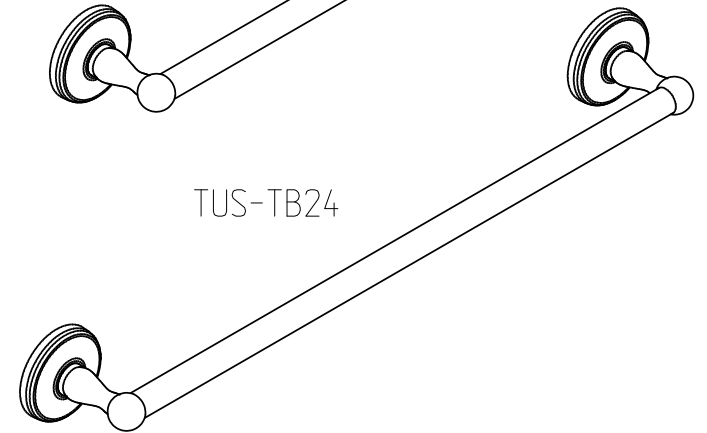
TUS-TB18



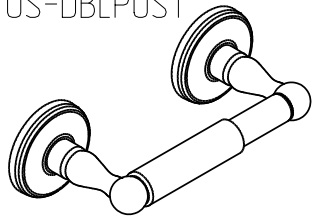
TUS-TB24



TUS-TB24



TUS-DBLPOST



TUS-TRRD

