



VERSATILE ACCESS CONTROL



The CL4000 electronic range are medium duty locks with multiple functions and full size lever handles.

The CL4000 locks are a stylish and contemporary design. Fully programmable on the door via the keypad with a multiple range of functions making them particularly suitable for use in health, educational, commercial and residential environments.



Easy to
install



On the door
programming



Two year limited
warranty*

80

Up to 80
User Codes

FEATURES

- Key bypass as standard and front cylinder change
- Suitable for wooden doors between 1³/₈" - 2³/₈" thick
- User Codes 4, 5 or 6 digits long
- Allows up to 10 one time User Codes
- Up to 200,000 operations from 4 x AA batteries (supplied)
- Remote release connections
- Suitable for interior and exterior use
- Tamper time out and low battery warning
- Locked and unlocked LED indicator option
- Selected models available in stainless steel, polished brass or flat black finishes



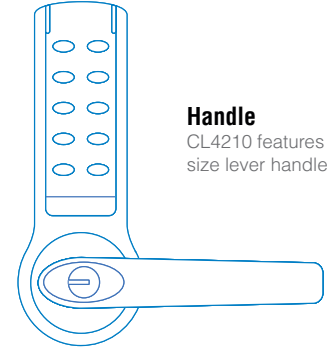
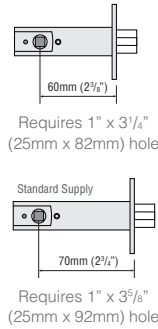
LOCK MODELS



Tubular Latch

Medium duty tubular latch retracts via the outside lever after a valid code input. When the door closes, the spring latch will lock the door.

Two Tubular Latch Sizes Available:



Handle

CL4210 features full size lever handles.

ADDITIONAL FEATURES

Storeroom Function

Fitted as standard i.e. the latch can be retracted by turning the key.

Classroom Function

Tailpiece supplied to allow (when fitted) lock to be left in passage function when the key is removed.

Code Management

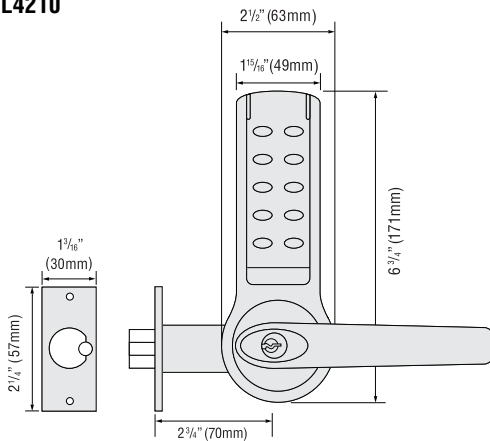
Program and manage codes via the keypad while the lock is on the door. All models also feature a Code Free option.

Remote Release

Two REM ports are provided for connection to exterior switches or alarm systems.

PRODUCT DIMENSIONS

CL4210



TECHNICAL SPECIFICATIONS

FEATURE	DESCRIPTION
Spindle Type	5/16" (8mm) spring loaded spindle
Operations	Up to 200,000 per set of 4 x AA batteries
Tubular Latch	Medium duty deadlocking latch
Low Battery Warning	Red LED will flash on opening to indicate low battery
Buttons	Individual stainless steel buttons
Material	Zinc Alloy
Finish Color	Stainless Steel, Polished Brass and Flat Black
Non Handed	Locks will fit doors hung on the left or right
Door Thickness	1 ³ / ₈ " - 2 ³ / ₈ " (35mm - 60mm)
Key Bypass	As standard and front cylinder change
Keyed Alike	Locks can be supplied keyed alike on request
Memory	Stores up to 80 User Codes
Install Options	Vertical only
Suitable For	Interior and exterior use



Scan to shop!

www.codelocks.com

