

PREPARATION

Please read carefully:

Your Codelock is supplied with all instructions and fastenings required for installation. Before installing, please read through these documents carefully, referring to them for the following:

- Checking the box contents of the Codelock is as expected
- Performing the operations check
- Ensuring the handing of the lock is correct for your application
- Preparing the required tools

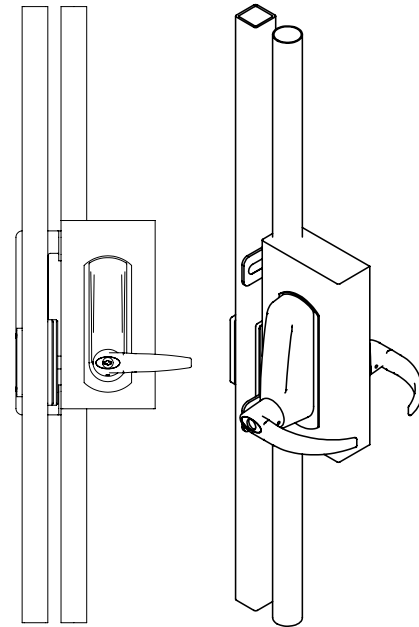
Gate Box Kit - Contents

- Codelock x 1
- Pre-drilled trim box to suit selected Codelock x 1
- Stop bracket x 1
- Strike bracket end plate x 1
- Strike bracket nut plate x 1
- Strike bracket spacer x 2
- Socket flat head stainless steel machine screw x 2
- Phillips flat head stainless steel machine screw x 2

Gate Box Kit - Tools Required

In addition to the tools required for installing your selected Codelock:

- Phillips screwdriver
- Hex key set

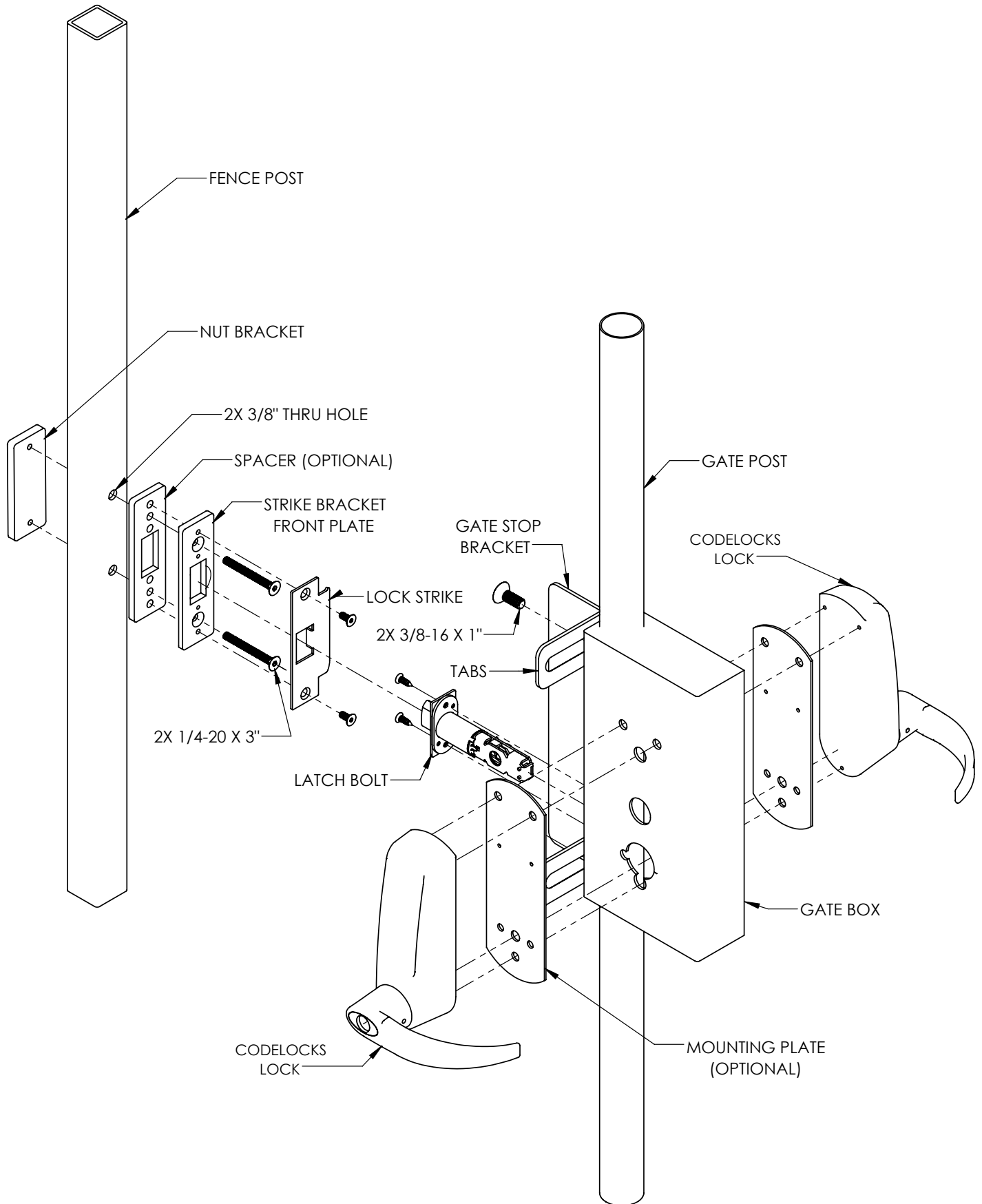


INSTALLATION

Note: Installation must be carried out after the gate has been installed on it's hinges.

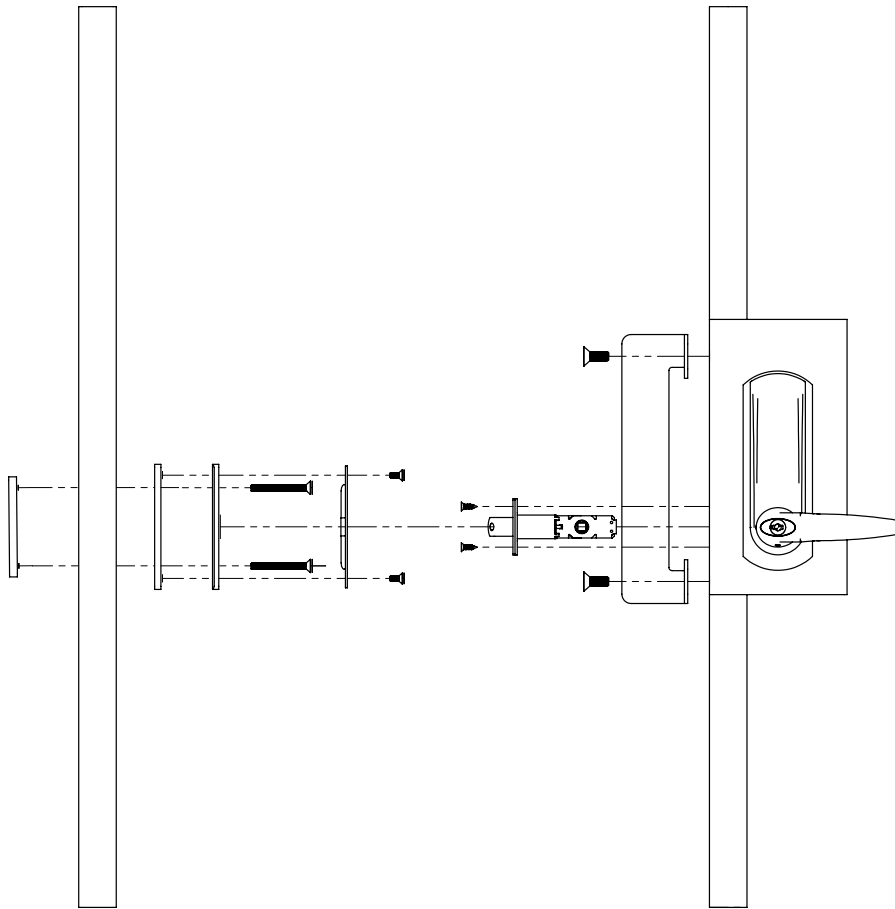
1. Install the Codelocks lock to the gate box.
2. Take the strike bracket front plate and hang it on the latch bolt of the installed Codelock.
3. Swing the gate closed so that the strike bracket front plate is centered on the fence post.
4. Hold the strike bracket front plate so that the latch bolt is centered vertically in the opening in the strike bracket front plate.
5. While holding the strike bracket front plate in position, retract the latch with the lock lever handle/knob and open the gate.
6. Mark the location of the top and bottom throughbolt holes on the strike bracket front plate on the fence post.
7. Drill the 3/8" diameter holes all the way through the fence post being sure to keep the drill bit perpendicular to the post. If the optional spacer plate is not going to be used, drill four 1/4" clearance holes in the front side of the post for the top and bottom strike mounting holes.
8. Swing the gate closed and measure the distance between the edge of the gate and the face of the fence post. When installed, the distance between the edge of the gate and the surface of the lock strike plate should be 1/8".
9. Place one 1/4-20 3" screw through the top hole of the strike bracket front plate, through the hole on the spacer(s) if needed, through the top hole drilled in the fence post, and into the top hole of the nut bracket on the opposite side of the fence post. Partially tighten the screw.
10. Place the second 1/4-20 3" screw through the bottom hole. Completely tighten both screws.
11. As desired, cut off any excess length of the screws protruding from the back side of the nut plate.
12. Attach the lock strike plate to the front of the installed strike bracket front plate.
13. Swing gate closed and assure that the latch bolt properly engages the strike plate.
14. Install the gate stop bracket on the edge of the gate box using two 3/8-16 1" screws with a washer spacer between the gate stop bracket and the edge of the gate box. Be sure that the lip of the bracket is installed on the out swinging side of the gate
15. Close the gate until the latch bolt enters the hole in the strike plate.
16. While holding the gate in that position, carefully slide the gate stop bracket back until it contacts the face of the fence post or lip of the strike plate.
17. While holding the gate stop bracket in place, carefully open the gate and tighten the two 3/8-16 screws to hold the gate stop bracket in position.
18. Close the gate to ensure that the gate stops at the proper location for the latch to engage the strike plate. Readjust as necessary.
19. Cut off excess length of the tabs of the gate stop bracket.

EXPLODED VIEW ASSEMBLY

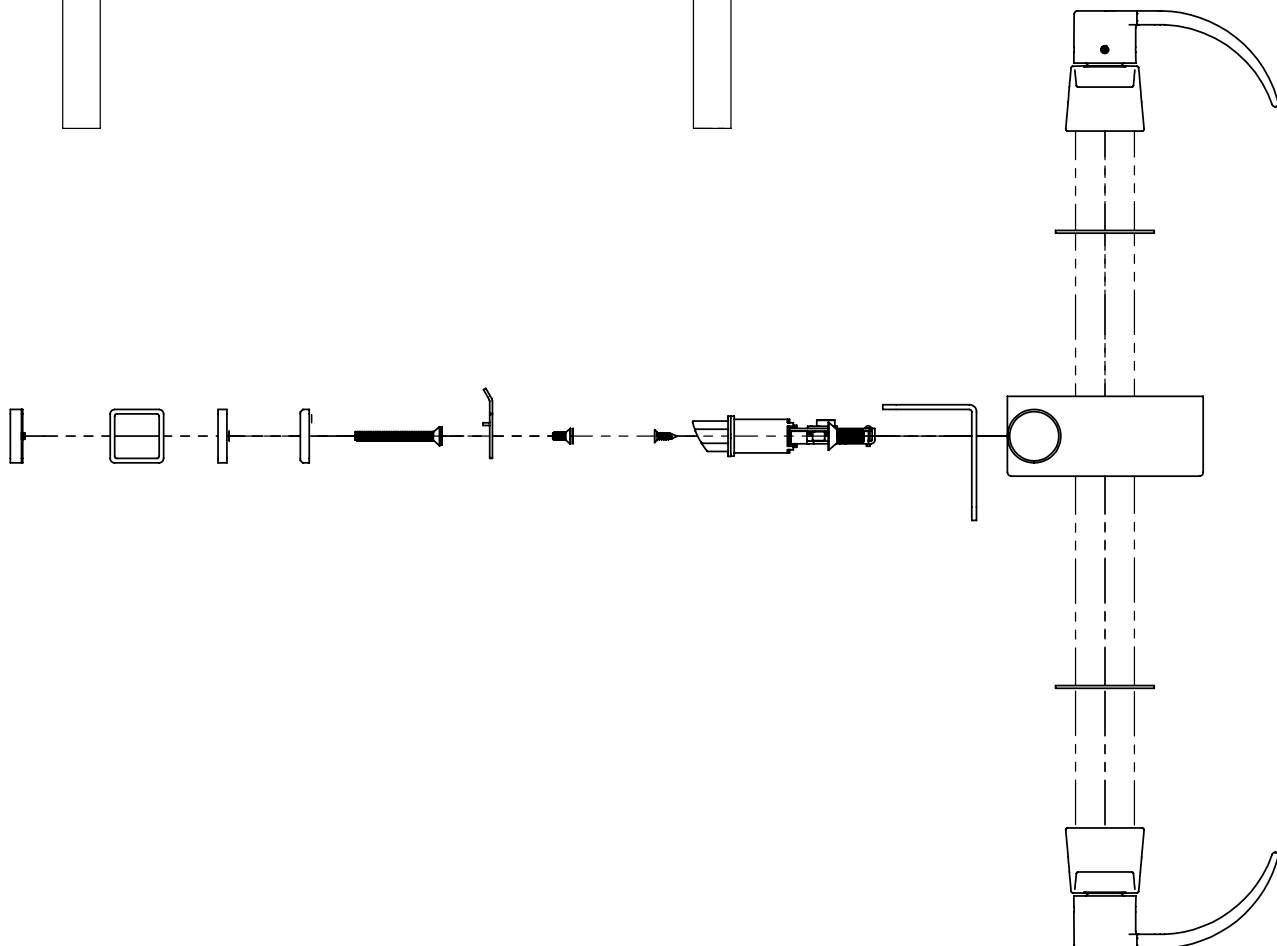


II_GBK_v1:0423

SIDE VIEW ASSEMBLY



TOP VIEW ASSEMBLY



II_GBK_v1:0423